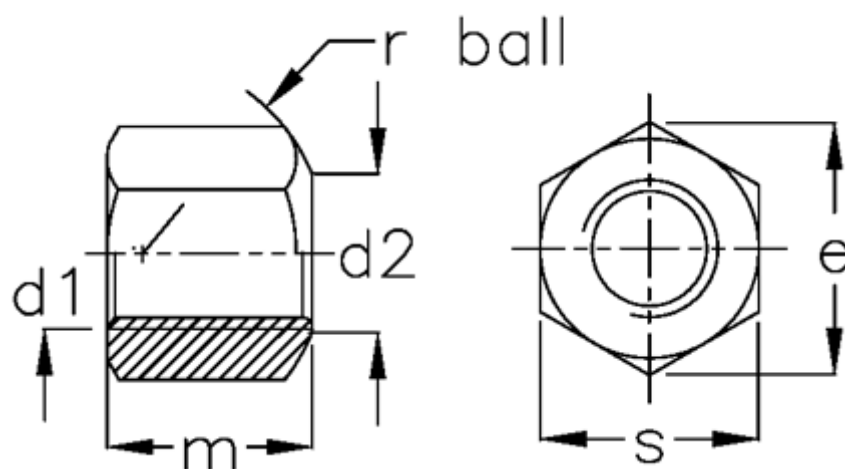


Article number: 206330M8BNI

Description: E+G Hexagon nuts
DIN 6330-M8-B-NI

Measures



d1 = M8
d2 = 9.0
e = 15.0
m = 12
r = 11
s = 13